

- Band13, RF-Tx SAW Filter
- Revision 0: May 2014

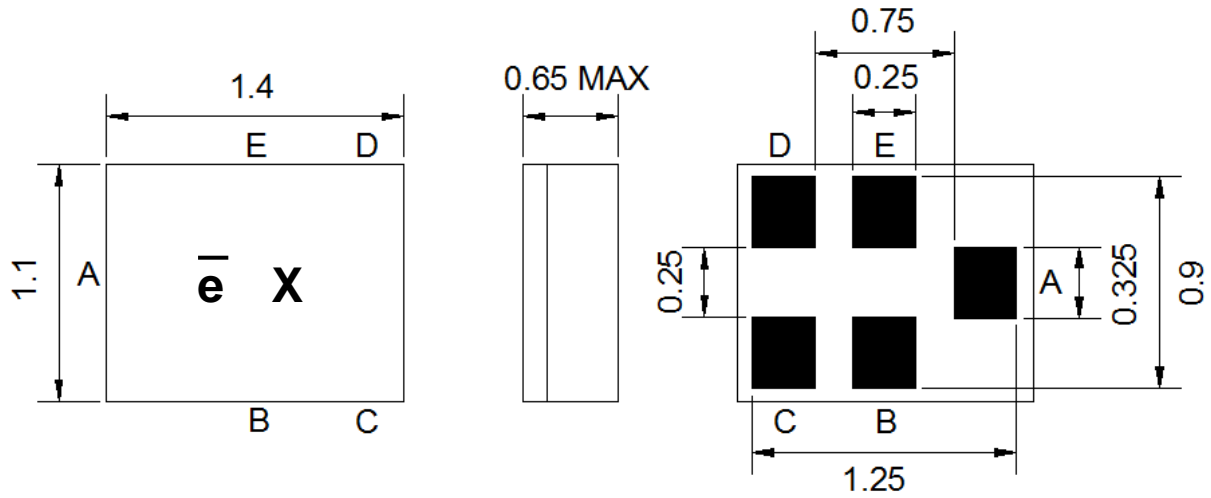
Electrical Characteristics

MAXIMUM RATING				
PARAMETERS DESCRIPTION	UNIT	MINIMUM	TYPICAL	MAXIMUM
Operating Temperature Range	°C	-30	-	+85
Storage Temperature Range	°C	-40	-	+85
Maximum DC Voltage	V	-	-	0
Maximum Input Power	dBm	-	-	10
Source Impedance (single ended)	Ω	-	50	-
Load Impedance (single ended)	Ω	-	50	-
Package type & size	C21			
Length x Width	mm ²	-	1.4 x 1.1	-
Height	mm	-	-	0.65

ELECTRICAL SPECIFICATION				
PARAMETERS DESCRIPTION	UNIT	MINIMUM	TYPICAL	MAXIMUM
Center Frequency (Fo)	MHz	-	782.0	-
Max.Insertion Loss within 777.0 ~ 787.0 MHz	dB	-	2.5	3.5
Amplitude Ripple within 777.0 ~ 787.0 MHz	dB _{p-p}	-	1.0	2.0
Attenuation:				
746.0 ~ 756.0 MHz	dB	40	47	-
758.0 ~ 768.0 MHz	dB	40	48	-
766.5 MHz	dB	40	48	-
793.0 ~ 805.0 MHz	dB	12	23	-
VSWR within 777.0 ~ 787.0 MHz	dB	-	1.7	2.0

Notes: (1) No Matching Network

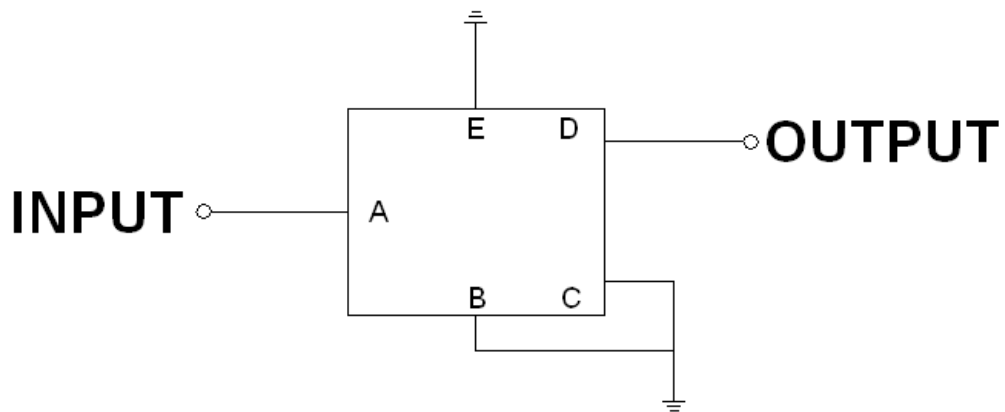
Package Dimensions



Marking Descriptions	
\overline{e}	Series Number
X	Date Code (Year+Month)

Pin Description	
B, C, E	Ground
A	Input
D	Output

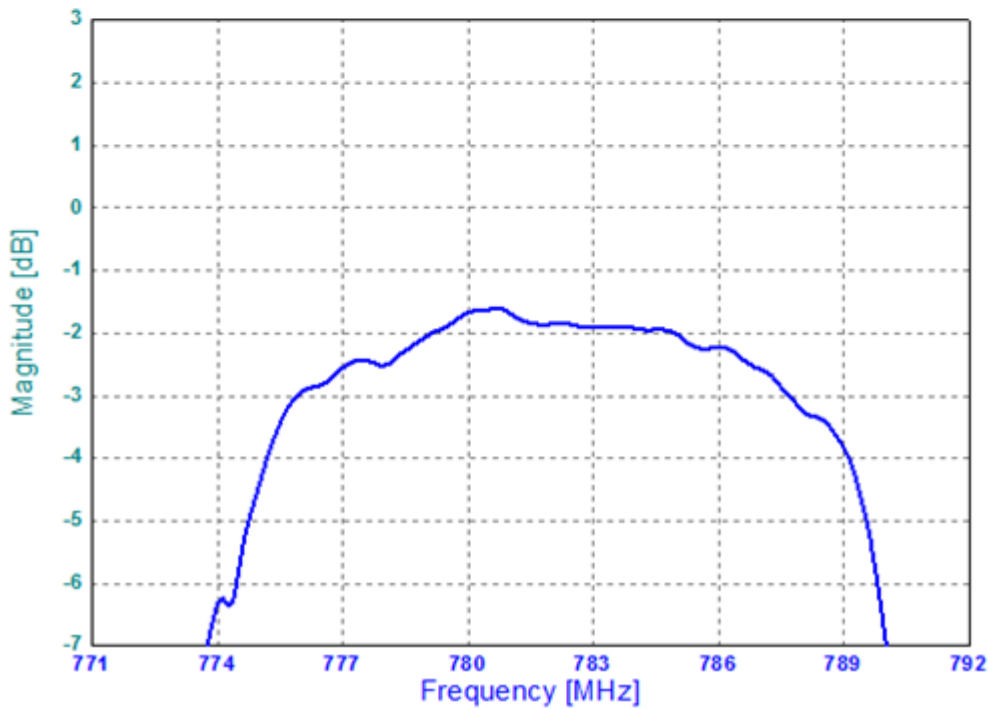
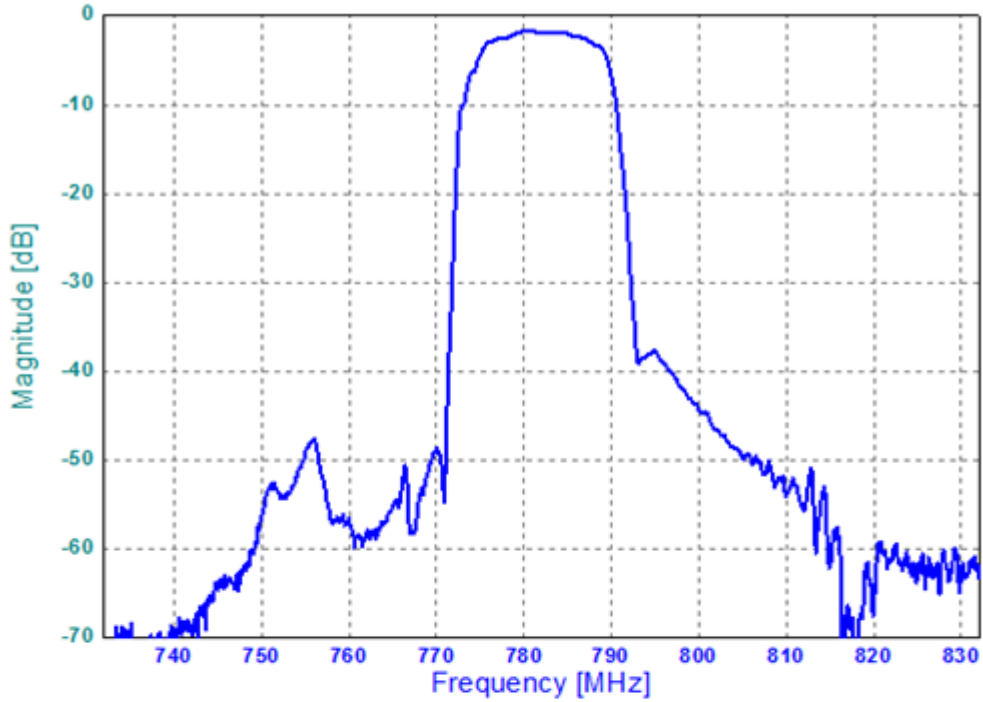
Testing Environment



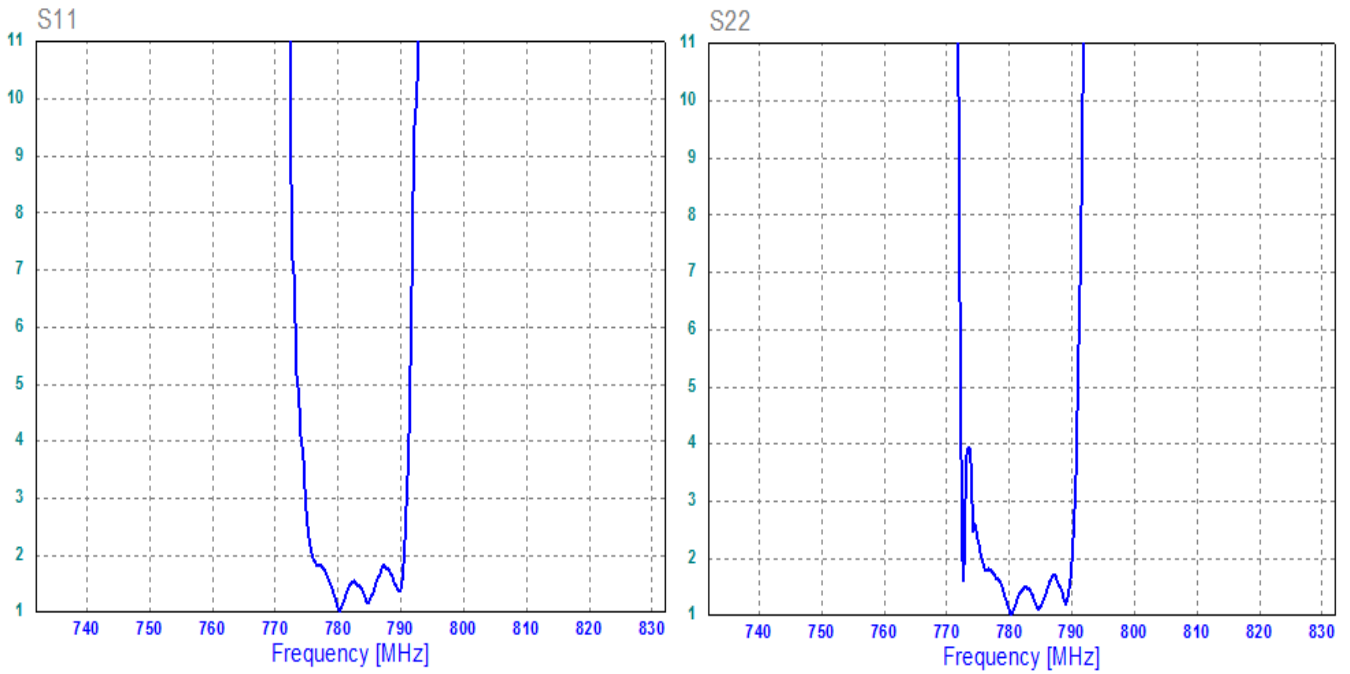
Source & Load Impedance: 50 Ω

Frequency Characteristics

Frequency Response



VSWR



Smith Chart

